

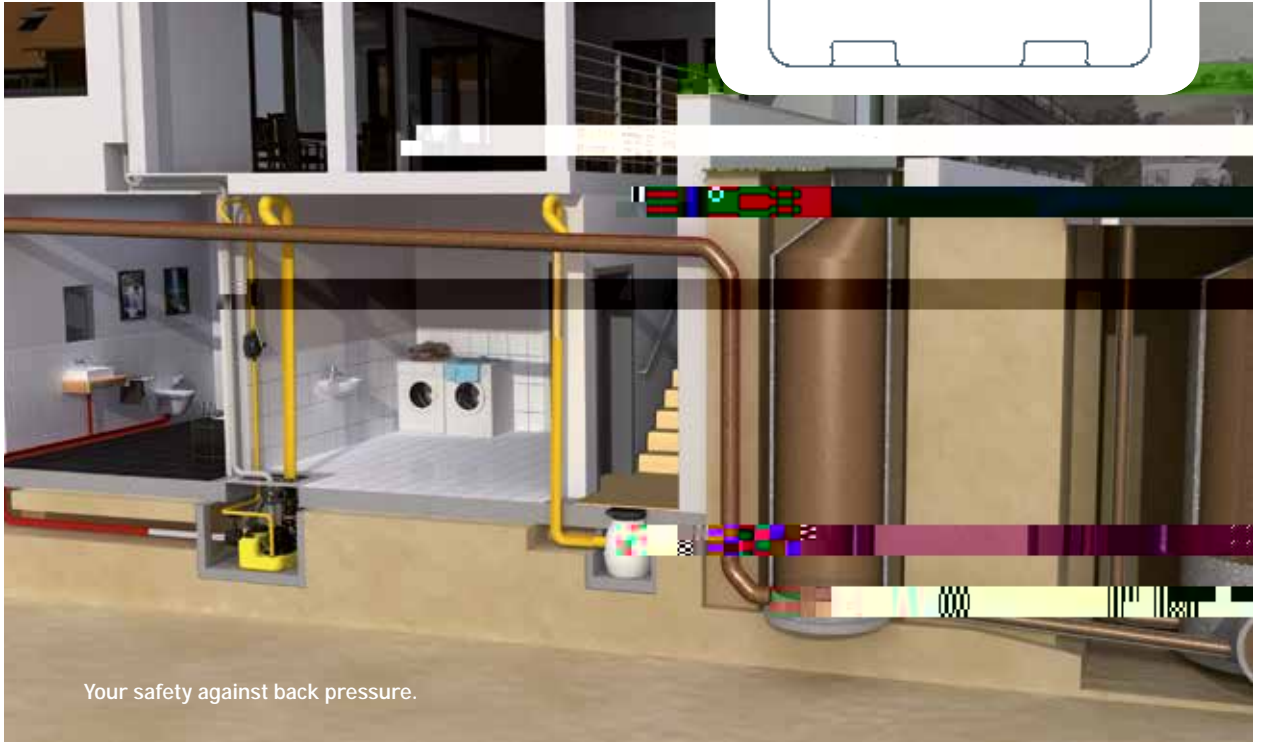
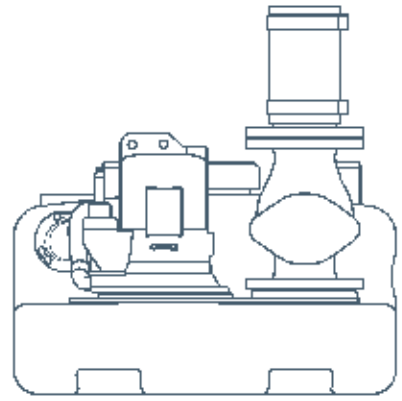


JUNG PUMPEN COMPLI





COMPLI SEWAGE LIFTING STATIONS READY TO PLUG-IN • POWERFUL



Your safety against back pressure.

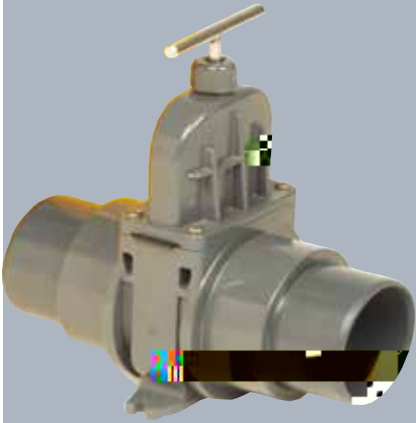
NUMBERS - DATES - FACTS



Height adjustable clamping flange
compli 400



COMPLI SEWAGE LIFTING STATIONS - CONVINC7



PVC inlet sluice valve
DN 100 or DN 150, with pipe sockets
bonded in, for the time-saving and
space-saving direct connection to the
inlet clamping flange.

