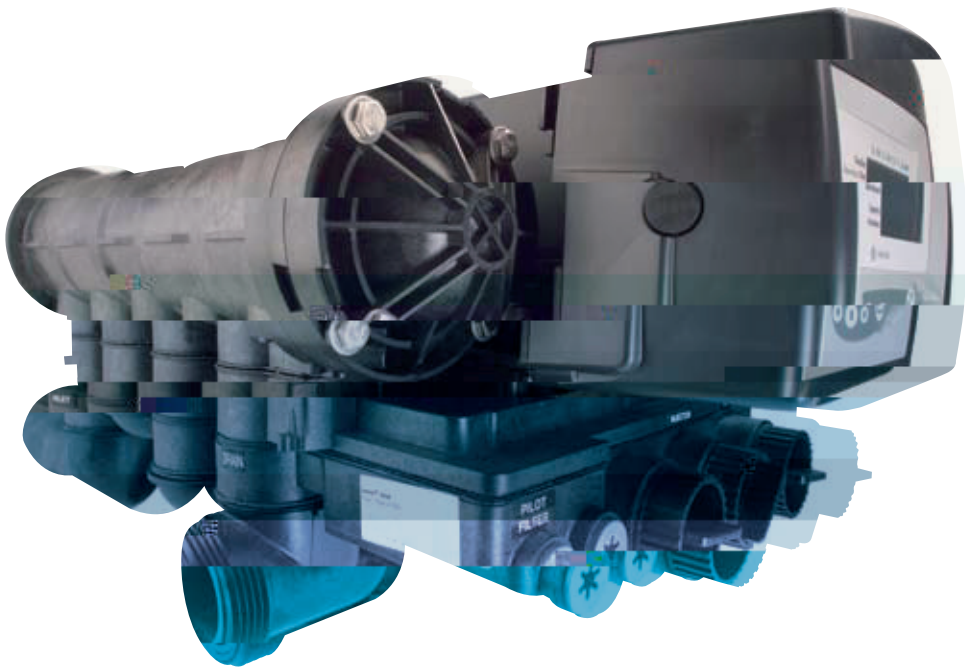


Magnum®



Magnum®

Logix™



Flow Rates (Valve Only)

@ 15 psi (1.03 bar)	76 gpm (17.3 m ³ /hr)
@ 25 psi (1.72 bar)	89 gpm (20.2 m ³ /hr)
	Cv = 19.5 (Kv = 17)
	Cv = 17.8 (Kv = 19.9)

/

/

*

4	8UN			
2	NPT	BSPT		CPVC
3/4	NPT			
1-1/2		NPT	BSPT	CPVC
1-1/2			5/8	±1/8-

* 5 - 40 gpm

/

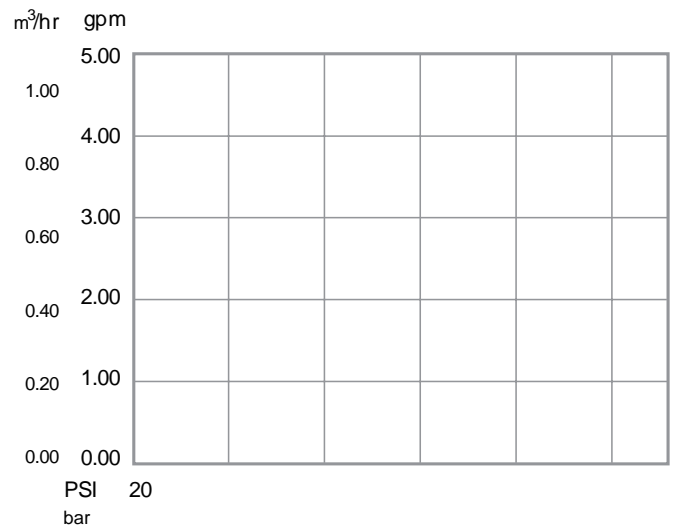
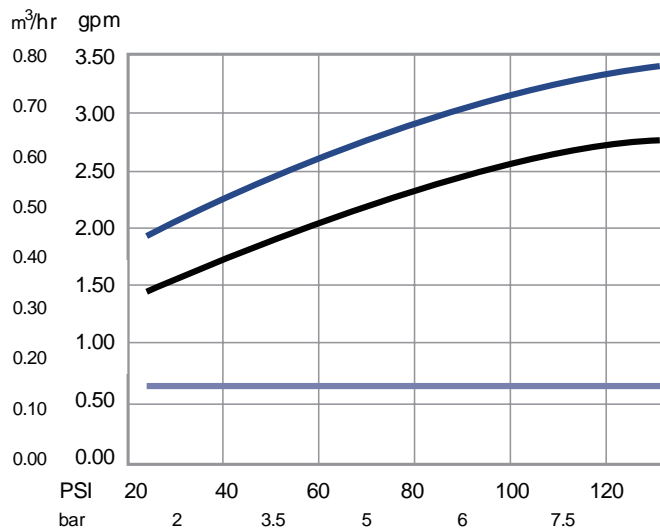
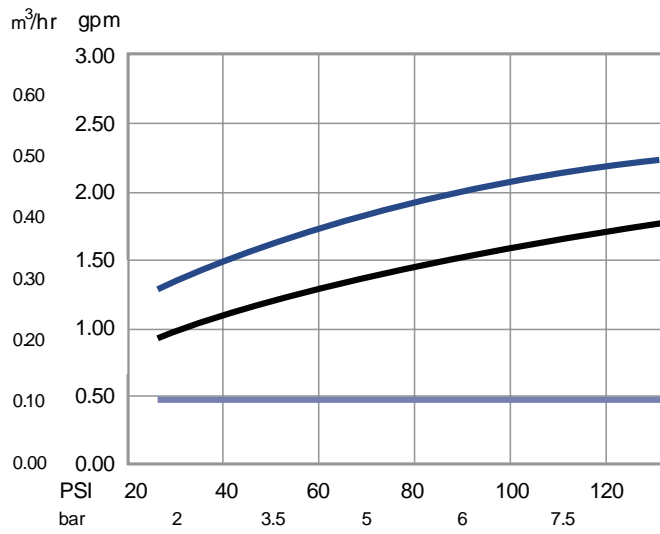
O

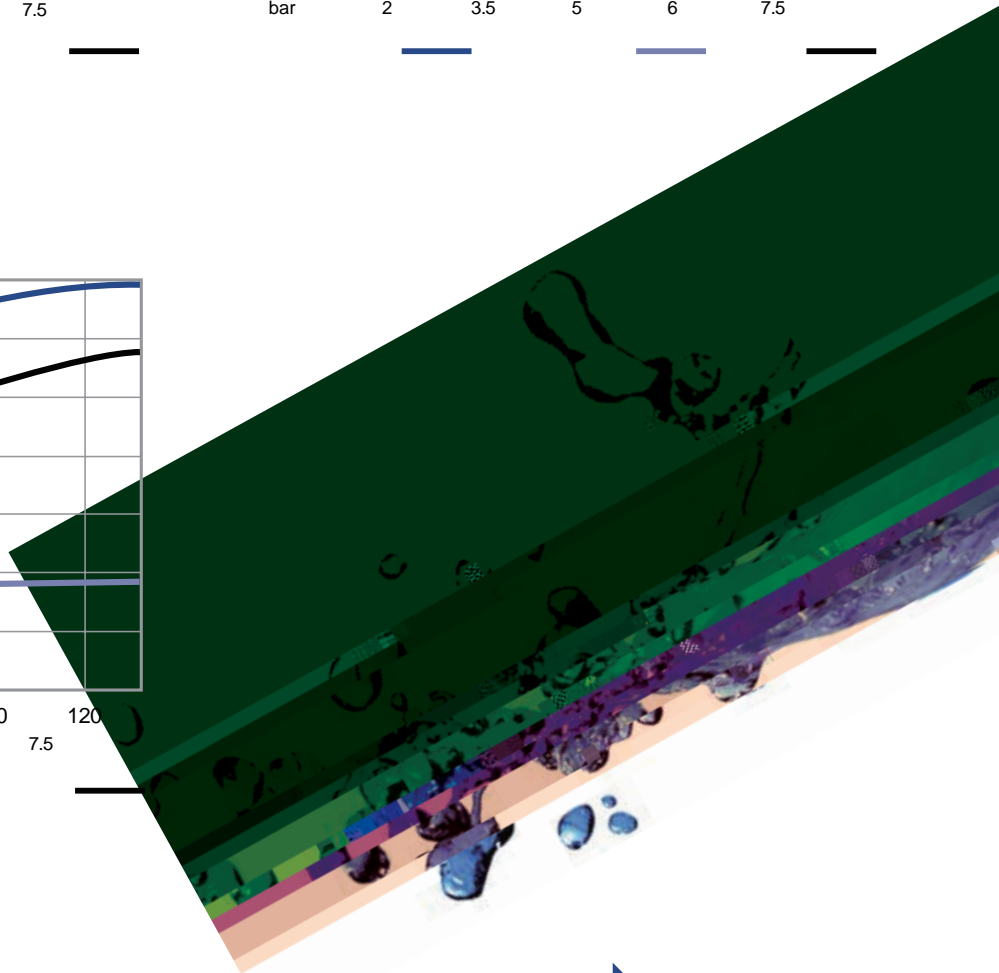
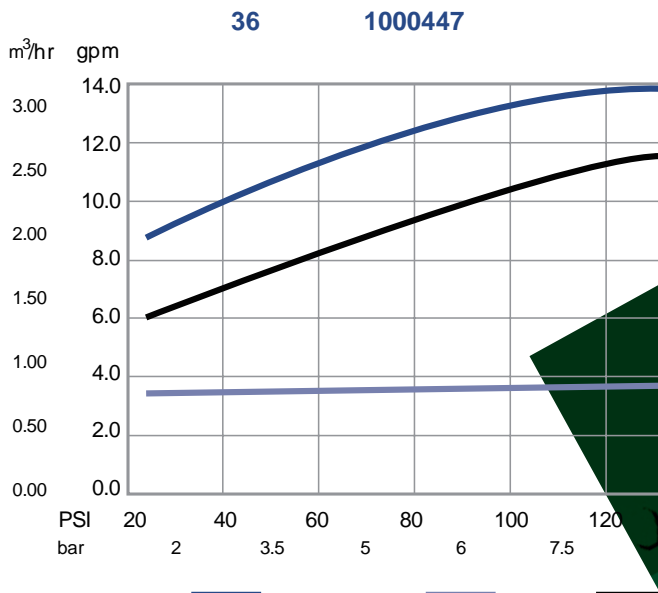
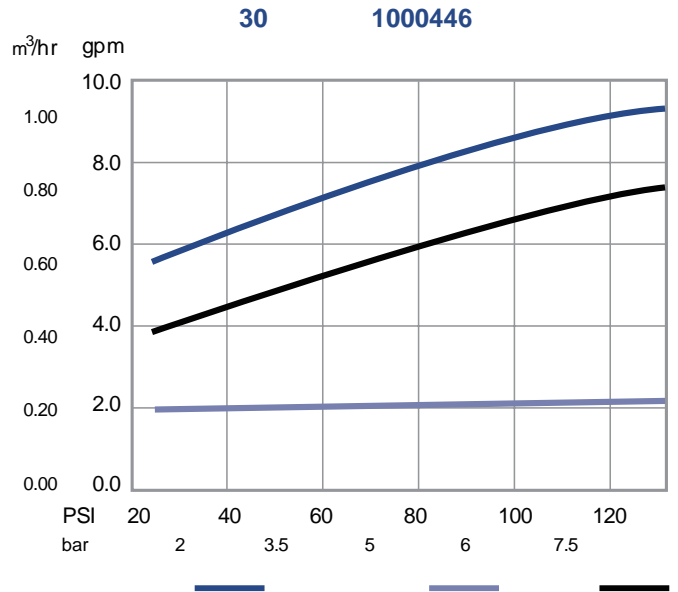
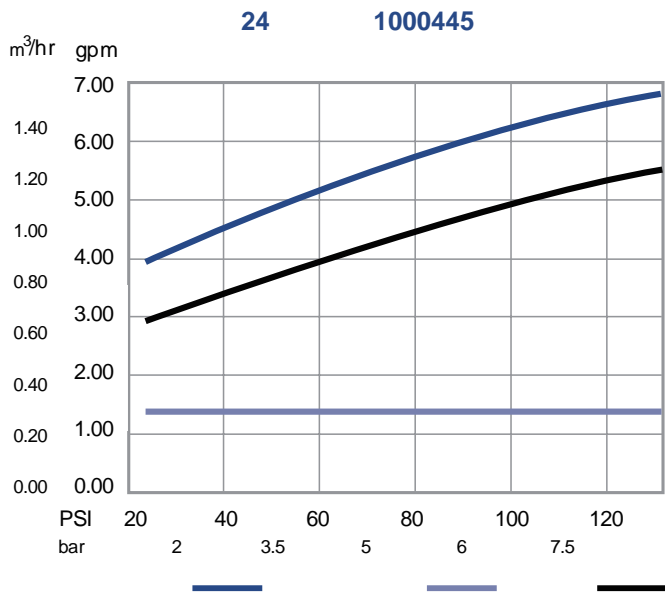
EPDM
 7 14 16 18 21 24 30 36
 25 psi – 100 psi (1.72 bar – 6.9 bar)
 35° – 100°F (2° – 38°C) 120°F (49°C)

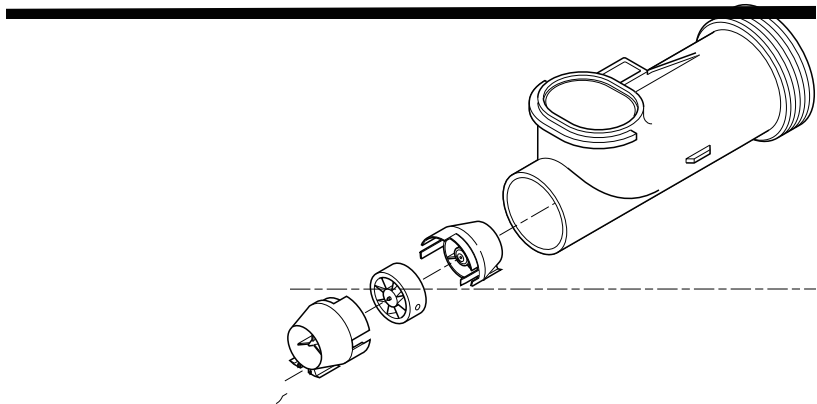


Magnum®

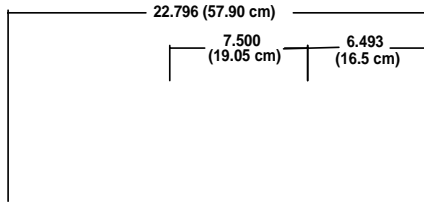
- Magnum



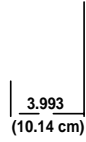




1-1/2 Magnum CV



2 Magnum IT



2.817
(7.15 cm)

